



INTRODUCING THE NEWLY REDESIGNED E-CLASS

E350 E320 BLUETEC E550 E63 AMG

امداد خودرو فارما

تلفن شبانه روزی: ۰۲۱-۸۸۸۶۲۰۸۵

FarmaSOS.com

Sport and luxury merge to bring out the best in both.

Powerful duality. You spot it immediately in the 2007 Mercedes-Benz E-Class. In addition to new retractable side mirrors, the sharpened redesign reveals striking new bumpers equipped with bold headlamps and taillamps for an aggressive stance, improved aerodynamics and precision handling. The E 350 Sedan exhilarates with hip elegance. Enjoy seating for seven in the stylish, versatile E 350 Wagon, with nearly 70 cu ft of usable room¹ plus a standard 3rd-row seat.² Feel refined power in the E 550 Sedan, while the E 320 BLUETEC boasts class-leading fuel economy. And the E 63 AMG unleashes incredible force as only a fierce performer can. The E-Class combines high strength, such as three potent new engines, with supreme amenities like optional heated front seats,³ an optional matte chrome ivory-color instrument cluster,⁴ our revolutionary PRE-SAFE[®] technology and optional 4MATIC[™] permanent all-wheel drive.⁵ Sport and luxury blend so seamlessly, you may ask yourself which pleases you more. It's great to have both.

1 With 2nd- and 3rd-row seats folded. 2 3rd-row-seat occupant height and weight limitations apply. 3 Standard E 63 AMG. 4 Optional E 350 and E 550 Sedans. Not available E 350 Wagon, E 320 BLUETEC and E 63 AMG. 5 Standard E 350 Wagon. Optional E 350 and E 550 Sedans. Not available E 320 BLUETEC and E 63 AMG.

Designed to blow by everything else.

Style equals substance in the E-Class. Wind-tunnel testing means virtually every facet of the contoured exterior optimizes your vehicle's aerodynamics, from the restyled front air intake, to new exterior mirrors, to the sculpted rear apron. From these aesthetic virtues, you'll collect performance rewards like lower noise levels, even at highway speeds. Deep lines accent the body, converging in an aggressive V at the refashioned radiator grille with new oval foglamps. With the no-cost option Sport Package, the E 350 and E 550 Sport Sedans display an even bolder stance and greater aerodynamics thanks to a lowered sport suspension, 18" 10-twin-spoke wheels and more.



E350 Luxury Sedan shown in optional Iridium Silver metallic paint with optional Premium 1 Package.



E350 Luxury Sedan shown in optional Iridium Silver metallic paint with optional Premium 1 Package.

Is the outside world a blur?
It's the aerodynamics.



امداد خودرو فارما

تلفن شبانه روزی: ۰۸۵-۸۸۶۲۰۸۱۱

FarmaSOS.com



Reinvent the wheel. Every single one of them.

To drive an E-Class is to discover breathtaking performance behind a beautiful facade. The E 350 Sedan houses a 268-horsepower V-6 that accelerates from 0 to 60 in 6.5 seconds. The new E 550 Sedan sets free a 382-horsepower V-8 to get there in 5.4 seconds.¹ Both use lightweight pistons and other reciprocating parts to help reduce power loss, for increased performance and fuel efficiency. They also deliver remarkably high torque at low rpm. Whether you're climbing a steep hill, accelerating at a stoplight or passing the vehicle up ahead, you're good to go every time you hit the gas pedal. Decisive handling harnesses all this strength. Airmatic suspension, standard on the E 550 and E 63 AMG Sedans, lets you move through curves and corners with supreme confidence and virtually no lean in its Sport setting and provides for smooth cruising in its Comfort mode. A stroke of inspiration, the industry's first 7-speed automatic comes standard on all 2-wheel-drive E-Class Sedans. In addition to shifting gears more fluidly for hungrier response, this transmission breakthrough adapts its shift points to your driving style, making the E-Class a driver's paradise.

E550 Sport Sedan shown above.

¹ Stated rates of acceleration are based upon manufacturer's track results and may vary depending on model, environmental and road surface conditions, driving style, elevation and vehicle load.



E-Class Piston.



Experience a rarefied air. Anywhere you choose.

Inside the E-Class, you can create your ideal cabin. Start with four new interior color choices and redesigned climate controls. Then ease into standard 10-way power front seats with 3-position memory. The COMAND system and redesigned multifunction steering wheel each let you adjust the standard harman/kardon® LOGIC7® digital surround-sound system. The E-Class also features a standard 6-disc CD changer and AUX input for connecting your MP3 player, as well as optional SIRIUS Satellite Radio. To place or answer calls, you can access the available Hands-Free Communication System¹ with optional Bluetooth® interface.² And be sure to open the newly standard sunroof or optional dual-panel Panorama Roof.³

E350 Sport Sedan shown with optional Black/Sahara Beige leather interior and optional Premium 1 Package.

¹ Always plug the phone into the cradle for use inside the vehicle or use the Bluetooth interface. Otherwise operating a non-approved phone or radio transmitter with its own attached or built-in antenna while the engine is running can interfere with the vehicle's electronic systems. For safety reasons, the driver should not use a cellular phone while the vehicle is in motion. We encourage the driver to stop the vehicle in a safe location before answering or placing a call. See your Mercedes-Benz dealer or visit www.Wireless4MB.com for current handset availability. Not all approved phones support all system features. See dealer for details.
² BLUETOOTH INTERFACE DOES NOT PROVIDE PHONE CHARGING OR EXTERNAL ANTENNA. PHONE BOOK DOWNLOAD AND VOICE INTERACTIVITY FEATURES ARE DEPENDENT ON SELECTED HANDSET. VISIT WWW.WIRELESS4MB.COM FOR DETAILS. ³ Not available E350 Wagon.



امداد خودرو فارس
تلفن شبانه روزی: ۰۸۵۰۶۶۲۰۸۵
FarmaSOS.com

Safety strong enough to bridge tradition and innovation.

Picture a world in which your car “knows” an accident is coming. The automaker that first incorporated a supplemental restraint system with air bags into production automobiles has nearly made it so in the E-Class. Mercedes-Benz is the first and only one to offer PRE-SAFE® standard. This revolutionary technology uses the Electronic Stability Program (ESP®) and Brake Assist to detect certain vehicle movements that suggest a possible accident, then make adjustments in the cabin to prepare for it: if severe skidding suggests a rollover is likely, for example, the sunroof¹ and side windows close automatically. Numerous other safety features also provide outstanding levels of protection. The Integrated Restraint System coordinates air bags and seat belts to help minimize injury to you and your passengers. The safety passenger compartment aids in diverting some of the force of an impact around it.

E350 Luxury Sedan shown in optional Iridium Silver metallic paint with optional Premium 1 Package.

1 Not applicable for Panorama Roof.

امداد خودرو واریا

تلفن شبانه روزی: ۰۸۵-۱۱۱۶۲۰۲۱

FarmaSOS.com





امداد خودرو فارما

تلفن شبانه روزی: ۰۲۱-۸۸۸۶۲۰۸۵

FarmaSOS.com

4MATIC permanent all-wheel drive provides optimum handling. Even in delicate situations.

Few driving conditions are this transparent. More often than not, they require intelligent technology to read the road and preserve the best possible handling. That's why we developed our available 4MATIC™ permanent all-wheel drive.¹ The myriad benefits add a serious dose of functionality to the sport and luxury of the E-Class. This advance in handling delivers the increased stability and greater power transfer customary to all-wheel-drive vehicles. The 4MATIC system also features the dynamic 4-wheel Electronic Traction System (4-ETS).² Sensors at each wheel continually monitor traction, and if one or more wheels start to slip, 4-ETS brakes them individually and sends torque to the wheel or wheels with traction, to maintain balance and maximize grip, even in slippery conditions. All so you can focus on what's up ahead—regardless of how tough the road is.

E350 Wagon shown in optional Capri Blue metallic paint with optional Premium 1 Package.

¹ Standard E350 Wagon. Optional E350 and E550 Sedans. Not available E320 BLUETEC and E63 AMG. ² No system, regardless of how advanced, can overcome the laws of physics or correct careless driving. Please always wear your seat belt. Performance is limited by available traction, which snow, ice and other conditions can affect. Always drive carefully, consistent with conditions. Best performance in snow is obtained with winter tires.



امداد خودرو فارس

تلفن شبانه روزی: ۰۸۵۰۶۲۰۸۵

FarmasOS.com

Fierce. Invigorating. Just bullets on the AMG résumé.

Heed the thunder of a handcrafted 6.3-liter V-8. This all-new, naturally aspirated engine yields 507 horsepower and 465 lb-ft of torque, catapulting the E 63 AMG from 0 to 60 in just 4.3 seconds.¹ Flex all that muscle using the AMG SPEEDSHIFT™ transmission: an enhanced 7-speed automatic that quickens shifting by up to 50%. Experience manual driving in its purest form by using the racing-inspired shift paddles. Hug curves with balanced precision, thanks to an AMG-calibrated Airmatic suspension with an enlarged stabilizer bar. And AMG-badged sport seats with Alcantara shoulder inserts grip you as firmly as you grip the road. Flaunting 18" AMG 5-spoke wheels² equipped with massive brakes, the E 63 AMG rockets you to the crossroads of high style and high performance – and stops you there just as quickly.

E 63 AMG shown in Iridium Silver metallic paint with optional Premium 2 Package.

¹ Stated rates of acceleration are based upon manufacturer's track results and may vary depending on model, environmental and road surface conditions, driving style, elevation and vehicle load. ² Lower aspect ratio tires and accompanying wheels provide substantially increased treadwear, increased tire noise and reduced ride comfort. Serious wheel and tire damage may occur if the vehicle is operated on rough or damaged road surfaces or upon encountering road debris or obstacles. These tires are not designed for use on snow and ice. Winter tires mounted on appropriately sized and approved wheels are recommended for driving in those conditions.



ایراد خودرو فارس
تلفن شنبانه روزی: ۰۲۱-۸۸۶۲۰۸۵
FarmaSOS.com

Better-than-hybrid efficiency. Plus all the top performance.

If you've ever dreamed of a luxury vehicle with the muscle of a gasoline-powered sports car and fuel efficiency to rival a hybrid of similar engine size, your dream is now a reality. BLUETEC clean diesel technology makes its U.S. debut on the 2007 E 320 BLUETEC. This 3.0-liter V-6 generates 208 horsepower and a stunning 388 lb-ft of torque, with a 0-to-60 time of only 6.6 seconds.¹ The E 320 BLUETEC also significantly reduces the soot and pollutants often associated with diesel engines.² With an EPA-estimated 27 mpg city³/37 mpg highway⁴ and proportionally more torque than a gasoline or hybrid engine of comparable size, the E 320 BLUETEC can travel over 700 highway miles on a single tank.⁵

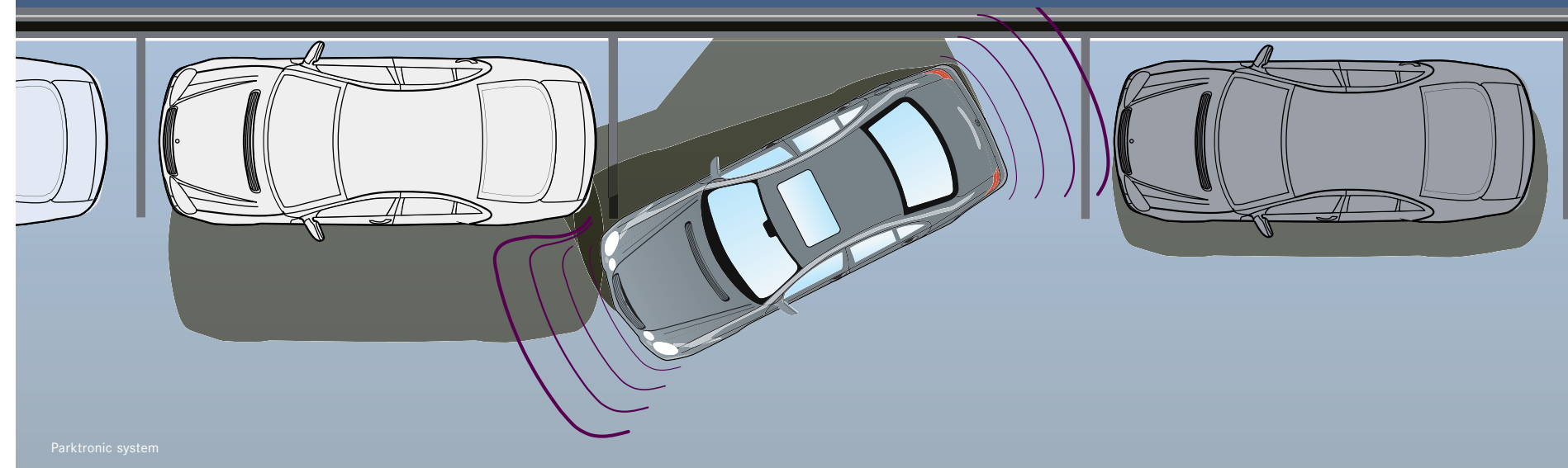
E 320 BLUETEC shown in optional Flint Grey metallic paint with optional Premium 1 Package.

1 Stated rates of acceleration are based upon manufacturer's track results and may vary depending on model, environmental and road surface conditions, driving style, elevation and vehicle load. 2 The E 320 BLUETEC does not meet emissions requirements for California, Maine, Massachusetts, New York or Vermont, and is not available in these states. 3 2006 EPA estimated fuel economy. 2007 figures for E 320 BLUETEC not yet available at time of publication. Compare the estimated mpg to the estimated mpg of other vehicles. You may get different mileage depending on how fast you drive, weather conditions and trip length. 4 Your actual highway mileage will probably be less than the highway estimate. 5 Estimate based on 21.1-gallon fuel tank capacity and estimated highway fuel economy. Your actual highway mileage will probably be less than the highway estimate.



Intelligence

E350 Luxury Sedan shown in optional Iridium Silver metallic paint with optional Premium 2 Package.



COMAND SYSTEM ●

The Cockpit Management and Data (COMAND) system lets you control the audio and optional Navigation and Hands-Free Communication Systems via a single in-dash unit with a 6.5" color-LCD screen. Controls on the multifunction steering wheel let you change the radio station, adjust the volume and select a track from the CD that's currently playing. COMAND also allows you to make and receive phone calls via the Hands-Free Communication System by using the dashboard controls or multifunction steering wheel. The audio system is automatically muted (or the CD paused) when you are on the phone.

Standard all models.

DVD-BASED NAVIGATION SYSTEM ○

The single-disc DVD-based Navigation System uses Global Positioning System (GPS) satellites to map the route to your location and even help you find points of interest such as restaurants, hotels, ATMs and Mercedes-Benz dealerships. Maps and visual guides are displayed on the screen, while voice instructions can be heard through the audio system.¹ To keep your navigation maps and Points Of Interest up-to-date, ask your dealer about NavUpdate discs, available to help keep you on track with the most current data.

Optional all models.

PARKTRONIC SYSTEM ○ —

When parking, ultrasonic sensors in the front and rear bumpers detect nearby objects within the system's field of view. Audible signals and illuminated displays, visible both on the dashboard and in the rearview mirror, let you maneuver with confidence. This system helps you avoid some obstacles that might be outside your field of vision.

Optional all E-Class sedans. Not available E350 Wagon.

BI-XENON CURVE-ILLUMINATING HEADLAMPS ○

To help you see better around corners at night, these headlamps turn along with your steering wheel. As a result, you get a better view into corners by increasing usable illumination by up to 90% over conventional fixed headlamps. Bi-Xenon headlamps deliver superior visibility over halogen headlamps because their brighter, whiter light is much closer to natural sunlight. They also incorporate dynamic level control and heated, high-pressure headlamp washers. When making tight turns at low speeds, the cornering front foglamps illuminate the area on the inside of the turn for better visibility.

Optional all models.

KEYLESS GO ○

A leap in ease and efficiency, Keyless Go lets you unlock your vehicle doors or the tailgate without removing the key from your pocket or purse. To start the vehicle, simply step on the brake pedal and push the Start button on top of the gearshift. You can also start the vehicle in the conventional way by inserting the SmartKey in the ignition.

Optional all models.

DISTRONIC ADAPTIVE CRUISE CONTROL² ○ —

Distronic Adaptive Cruise Control uses radar to monitor the vehicle ahead and adjusts your speed to help maintain your selected following distance. This system helps make long journeys even more pleasurable by reducing the need for the driver to frequently adjust the cruise control setting. If the vehicle ahead sensed by the system suddenly slows, the Distronic Proximity Warning System, recognizing that its deceleration capability is unable to maintain the selected following distance, will issue an audiovisual warning;³ in the event the driver has not already taken appropriate braking action, the system illuminates a red light in the instrument cluster and sounds an alarm signal.

Optional E63 AMG. Not available all other models.

¹ While the Navigation System provides directional assistance, the driver must remain focused on safe driving behavior, including paying attention to traffic and street signs. The driver should utilize the system's audio cues while driving and should only consult the map or verbal displays once the vehicle has been stopped in a safe place. Maps do not cover all areas nor all routes within an area. ² Distronic Adaptive Cruise Control is no substitute for active driving involvement. It does not react to stationary objects, nor recognize or predict the curvature and lane layout of the road or the movement of vehicles ahead, and can only apply a maximum of 20% of vehicle braking power. It is the driver's responsibility at all times to be attentive to traffic and road conditions, and to provide the steering, braking and other driving inputs necessary to retain control of the vehicle. ³ Drivers are cautioned not to wait for the Distronic Proximity Warning System before braking, as that may not afford sufficient time and distance to brake safely.

تلفن شماره روزی: ۰۸۵-۸۸۸۶۲۰۲۱-۲۱
 ФармаSOS.com



Panorama Roof

DUAL-ZONE CLIMATE CONTROL ● —

The dual-zone climate control system lets the driver and front-seat passenger select their own level of heating or cooling. Individual controls for each are located on the dashboard. An advanced electrostatic dust and pollen filter helps clean incoming air and a humidity/dewpoint sensor helps minimize window fogging during damp weather. Tunnel mode offers one-touch closing of all windows and cabin air intake by pressing and holding the air-recirculation button. *Standard E350 Sedan and Wagon and E320 BLUETEC. Not available E550 and E63 AMG.*

4-ZONE CLIMATE CONTROL ● —

The 4-zone climate control system has four individual temperature and airflow controls for the driver, front passenger and two rear passengers. It includes all the features of the dual-zone climate control system plus rear-cabin air vents in the center console and adjacent to the rear doors. Better yet, when set to the Auto position, this system can even monitor sunlight intensity and seat occupancy, thus determining which side of the car requires greater cooling and adjusting the temperature and airflow accordingly. *Standard E550 and E63 AMG. Not available E350 Sedan and Wagon and E320 BLUETEC.*

ELECTRONIC TRUNK CLOSER ○ —

This feature allows the driver to fully open and close the trunk via a switch on the driver's interior door panel. Close the trunk simply by pressing a button on the underside of the trunk lid, or open it with the SmartKey remote. *Optional all E-Class sedans. Not available E350 Wagon.*

POWER TAILGATE ● —

This thoughtful option lets you fully open the tailgate at the touch of a button on the driver's door or SmartKey. Press another button on the underside of the tailgate and it power-closes automatically. *Standard E350 Wagon. Not available all other models.*

POWER REAR SUNSHADE ○ —

The optional power rear sunshade is a very helpful facet of all E-Class sedans. A fine-mesh curtain, it screens the sun's rays in the rear window without blocking the driver's view. The E350 Wagon includes manually operated rear side window shades instead of a rear sunshade. *Optional all E-Class sedans. Not available E350 Wagon.*

SUNROOF ●

The E-Class now includes a standard sunroof that features power open/close, tilt and one-touch open as well as a tinted-glass panel and sunshade. (Not available with optional Panorama Roof.) *Standard all models.*

PANORAMA ROOF ○ —

A large dual-panel glass roof provides both front- and rear-seat passengers with a view of the sky. The front panel can tilt open or slide over the rear panel to open completely. Interior power sunshades cover both glass roof panels. *Optional all E-Class sedans. Not available E350 Wagon.*

SPLIT-FOLDING REAR SEATS ● ○

60/40-split-folding rear seats extend your trunk space to accommodate long items. *Standard E350 Wagon and E63 AMG. Optional E350 Sedan, E320 BLUETEC and E550.*

WAGON 3RD-ROW SEATS ● —

The E350 Wagon provides 7-passenger seating, thanks to the only standard 3rd-row seat in its class. Each seat provides a 3-point seat belt and head restraint. The 3rd-row seat folds away quickly to create a flat cargo floor. *Standard E350 Wagon. Not available all other models.*

WAGON CARGO SPACE ● —

The combination of a flat-folding 3rd-row seat and a 2nd-row 60/40-split-folding seat lets you choose 7-passenger seating capacity, up to 68.9 cu ft of cargo space with 2nd- and 3rd-row seats folded or just about anything in between. *Standard E350 Wagon. Not available all other models.*

● Standard. ○ Optional or included with a package. — Not available.

Support

**STANDARD SEATS ●**

All E-Class models feature standard 10-way power front seats with 3-position memory. The driver and front passenger seats also include adjustable lumbar support. Furthermore, the driver's seat memory retains steering column and outside mirror positions. *Standard all models.*

HEATED SEATS ● ○

For added convenience and year-round comfort, heated front seats are available. Three levels of heating can be selected via buttons on the center console. *Standard E63 AMG. Optional E350 and E320 BLUETEC.*

HEATED AND ACTIVE VENTILATED SEATS ○ —

In addition to staying toasty inside when it's cold outside with Heated Seats, enjoy the extra benefits of Active Ventilated Seats. These are designed to keep you cool during warmer months by gently circulating air through perforations in the seat and backrest, which also helps eliminate perspiration buildup. Using the ventilation and heating features simultaneously can even help keep you dry and warm on damp and rainy days. *Optional E550 and E63 AMG. Not available E350 Sedan and Wagon and E320 BLUETEC.*

Communication



E350 Sport Sedan shown in Black paint with optional Premium 2 Package.

STANDARD AND OPTIONAL FEATURES



HANDS-FREE COMMUNICATION SYSTEM¹ ○

The Mercedes-Benz Hands-Free Communication System incorporates state-of-the-art communications technology with the engineering expertise of Mercedes-Benz. This system seamlessly integrates approved cellular phones into your vehicle. It allows you to initiate and receive calls through the COMAND system or multifunction steering wheel. Calls are delivered through the audio system, which is automatically paused or muted. Your cellular phone's phone book can also be downloaded through the COMAND system for easy access.² A keypad is integrated into the COMAND system head unit for easy dialing and incoming caller ID is displayed on the COMAND screen. In addition to an approved compatible phone, the Hands-Free Communication System requires either the Bluetooth interface or Multi-Handset Interface.

Optional all models.

BLUETOOTH[®] INTERFACE³ ● Bluetooth[™]

Now you can make calls and even access most phone books without ever taking your cellular phone out of your pocket.² Using the accessory Bluetooth interface, the Hands-Free Communication System integrates itself wirelessly with your approved compatible phone.⁴ Once the Bluetooth interface is initialized with the phone, the system will automatically recognize your phone each time you enter the vehicle.

Sold separately.⁵ Not available with Multi-Handset Interface.

MULTI-HANSET INTERFACE⁴

Simply plug your approved cellular phone into the appropriate accessory cradle for hands-free calling. Your phone will then be automatically charged and connected to the vehicle's Hands-Free Communication System and integrated roof antenna for better reception.

Sold separately.⁵ Not available with Bluetooth interface.

HARMAN/KARDON[®] LOGIC7[®]

DIGITAL SURROUND-SOUND SYSTEM ●

The E-Class now comes standard with the harman/kardon LOGIC7 7.1-channel digital surround-sound system that produces an enthralling 420 watts of power through 12 speakers including a subwoofer. With an in-dash CD player as well as an AM/FM audio system, the system has a wide range of additional features, including weatherband radio, automatic vehicle-speed-sensitive volume adjustment, a large color-LCD screen and a standard single-feed 6-disc CD changer capable of playing MP3-encoded CDs. Digital surround sound adds concert hall-quality realism when listening to FM radio, the CD player or optional SIRIUS Satellite Radio.

Standard all models.

SIRIUS SATELLITE RADIO⁶ ● ○

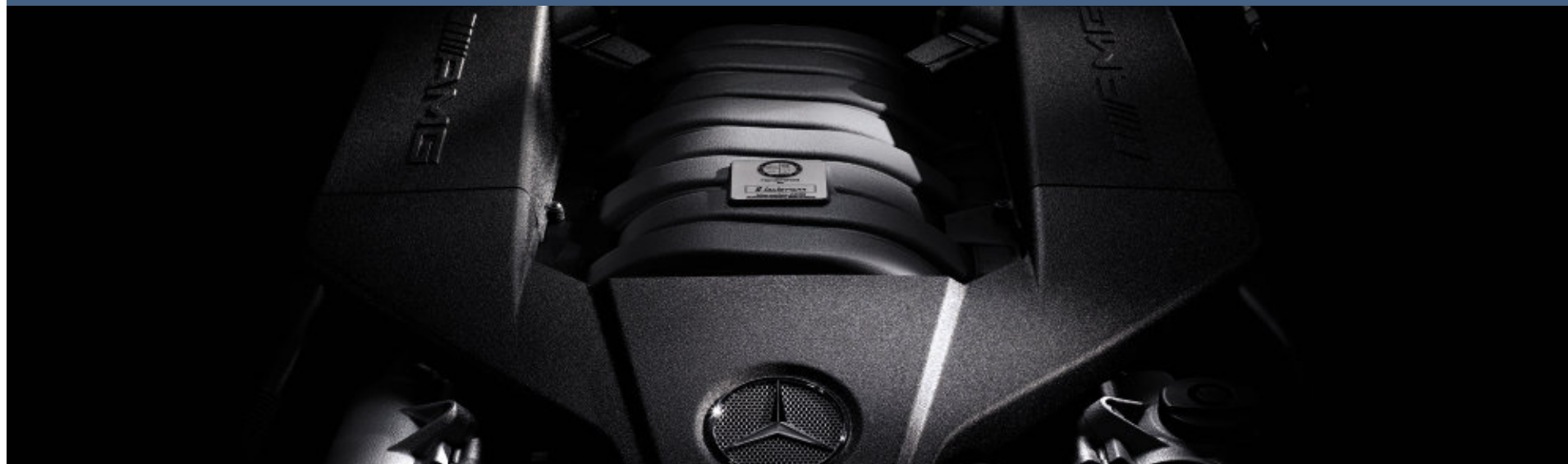
SIRIUS Satellite Radio brings you over 125 digital channels of sports, news, talk and commercial-free music—including live coverage of the NFL[®], NHL[®] and NBA. Local news, weather and traffic information are also available in many markets. When equipped with this feature, a 6-month subscription is included if activated immediately upon delivery. *Standard E63 AMG. Optional all other models.*

AUX INPUT ●

Connect your audio device to the audio system via the standard auxiliary input. Located in the glove compartment, the AUX input provides a better-quality connection than FM transmitters or tape adapters.

Standard all models. AUX input jack is removed if vehicle is fitted with optional iPod Integration Kit.⁷

1 Always plug the phone into the cradle for use inside the vehicle or use the Bluetooth interface. Otherwise operating a non-approved phone or radio transmitter with its own attached or built-in antenna while the engine is running can interfere with the vehicle's electronic systems. For safety reasons, the driver should not use a cellular phone while the vehicle is in motion. We encourage the driver to stop the vehicle in a safe location before answering or placing a call. See your Mercedes-Benz dealer or visit www.Wireless4MB.com for current handset availability. Not all approved phones support all system features. See dealer for details. 2 Certain Mercedes-Benz-approved phones support voice interactivity, but not the phone book download feature, with Bluetooth technology. See dealer for details. 3 BLUETOOTH INTERFACE DOES NOT PROVIDE PHONE CHARGING OR EXTERNAL ANTENNA. PHONE BOOK DOWNLOAD AND VOICE INTERACTIVITY FEATURES ARE DEPENDENT ON SELECTED HANDSET. VISIT WWW.WIRELESS4MB.COM FOR DETAILS. 4 Interface and phone sold separately. See dealer for a list of approved compatible phones. 5 Includes one-year, unlimited-mileage warranty. See dealer for details. 6 Programming subject to change. Not available in Alaska, Hawaii or Puerto Rico. While the SIRIUS network of satellite and terrestrial antennae provides nearly seamless service throughout the contiguous U.S., SIRIUS service may be unavailable or interrupted for a variety of reasons, including environmental or topographic conditions; in certain locations such as tunnels, parking garages or within or next to large buildings; or near other technologies that can interfere with the SIRIUS signal. SIRIUS, the dog logo and SIRIUS stream names and logos are trademarks of SIRIUS Satellite Radio. NFL[®] is a registered trademark of the National Football League and its affiliates. NHL[®] is a registered trademark of the National Hockey League. The National Basketball Association name is the property of NBA Properties, Inc. 7 Accessory iPod Integration Kit prevents access to the auxiliary port for other uses and cannot be combined with optional Rear-Seat Entertainment System. iPod not included in kit.



3.5-LITER V-6 ENGINE

Efficient and exhilarating, the 3.5-liter dual overhead cam (DOHC) V-6 in the E 350 models is a force to be reckoned with. Its commanding 268 horsepower and 258 lb-ft of peak torque keep your adrenaline flowing. Continuously variable timing on both the intake and exhaust valves coupled with a dual-stage intake manifold helps the DOHC V-6 provide 100% of its peak torque from 2,400-5,000 rpm, ensuring immediate response to every throttle input. With its aluminum-alloy block and heads, this lightweight 24-valve V-6 is as sophisticated as it is strong, incorporating design features such as electropneumatic tumble flaps in the intake duct to help ensure your vehicle rides cool, plus an internal balance shaft for ultra-smooth operation.

NEW BLUETEC CLEAN DIESEL TECHNOLOGY

The breakthrough BLUETEC diesel engine in the E 320 BLUETEC reduces soot and harmful emissions – all without sacrificing power – via a specialized set of filters and catalytic converters. While an oxidation catalytic converter and diesel particulate filter efficiently lower hydrocarbon and particulate emissions, Selective Catalytic Reduction and Denox catalytic converters reduce nitrogen oxides.¹ Making its U.S. debut on the 2007 E-Class, the BLUETEC powerplant taps proprietary Mercedes-Benz technology to result in nothing less than the cleanest production diesel engine available.²

NEW 5.5-LITER V-8 ENGINE

New for 2007, the 5.5-liter V-8 is one of the most advanced engines Mercedes-Benz has ever put into a production car. It produces an extraordinary 382 horsepower at 6,000 rpm and 391 lb-ft of torque at 2,800-4,800 rpm, with an amazing 75% of peak torque available at just 1,000 rpm. To help reduce engine weight and increase durability, the engine block is made of cast aluminum with a solid bedplate, an ideal construction for performance. Innovative aluminum-silicon-alloy cylinder sleeves help reduce friction by up to 50% versus conventional iron liners. Enjoy smooth driving every time thanks to a combination of dual overhead cams, continuously variable intake and exhaust valve timing and the use of four valves per cylinder, all working in tandem to promote the engine's efficiency. The result is a smooth and immediate power delivery that whisks the E 550 from 0 to 60 mph in just 5.4 seconds.³

NEW 6.3-LITER V-8 AMG ENGINE

New for 2007, the E 63 AMG is not only endowed with the most powerful naturally aspirated V-8 in the Mercedes-Benz lineup – it has been mated to a 7-speed automatic transmission with AMG SPEEDSHIFT for quick and ready access to that enormous strength. Feel a rush of euphoria as the engine develops a massive 507 horsepower and 465 lb-ft of torque that propels the E 63 AMG from 0 to 60 in just 4.3 seconds.³ Like all AMG engines, each E 63 AMG powerplant is built by hand by a single master technician, whose name has been inscribed on the engine itself. A precision engine-management system transforms gas pedal commands into hungry response, dynamic acceleration and sheer driving pleasure across all speed ranges. This unique combination of a fast-running design and a large displacement achieves the best of both worlds: exhilarating, high-revving flexibility accompanied by high pulling power at low engine speeds.

7-SPEED AUTOMATIC TRANSMISSION

The Mercedes-Benz E-Class is the only car in its class to have a 7-speed automatic transmission as standard equipment. The transmission's wide range of closely spaced gears gives the driver the ideal gear ratio for virtually every driving condition, which means smoother cruising and immediate response for acceleration and passing. It also helps improve fuel efficiency during highway driving (not available on E 350 Wagon or with optional 4MATIC™).

AMG SPEEDSHIFT™ 7-SPEED AUTOMATIC TRANSMISSION

Harness the phenomenal force of the E 63 AMG to the highest degree with the new AMG SPEEDSHIFT 7-speed automatic transmission. Change gears rapidly using the AMG shift paddles on the steering wheel. Then enjoy the flexibility of switching between sporty driving and smooth cruising. Take your pick of three settings custom-tailored to the performance attributes of the AMG V-8. The center console displays the trio of S for Sport, C for Comfort and M for Manual. The third mode is the ultimate for seeing what the engine is made of. It offers no automatic downshift at maximum acceleration or in kickdown, and once selected, the transmission stays put in the chosen gear unless the vehicle has stopped. AMG SPEEDSHIFT does not automatically perform an upshift when it reaches the engine speed limit in Manual mode, either. So you can feel free to enjoy sporty driving maneuvers anytime you like.

¹ The E 320 BLUETEC does not meet emissions requirements for California, Maine, Massachusetts, New York or Vermont, and is not available in these states. ² Requires the use of ultra-low-sulfur diesel fuel. Mercedes-Benz approves the use of B5 bio diesel (approved diesel fuel with a maximum 5% bio diesel content) in all CDI/BLUETEC engines. The only approved bio diesel content is one that both meets ASTM D6751 specifications and has the oxidation stability necessary to prevent deposit-/corrosion-related damages to the system (min. 6h, proven by EN14112 method). Please see your service station for further information. If the B5 bio diesel blend does not clearly indicate that it meets the above standards, please do not use it. The Mercedes-Benz limited warranty does not cover damage caused by non-Mercedes-Benz-approved fuel standards. ³ Stated rates of acceleration are based upon manufacturer's track results and may vary depending on model, environmental and road surface conditions, driving style, elevation and vehicle load.



Strength

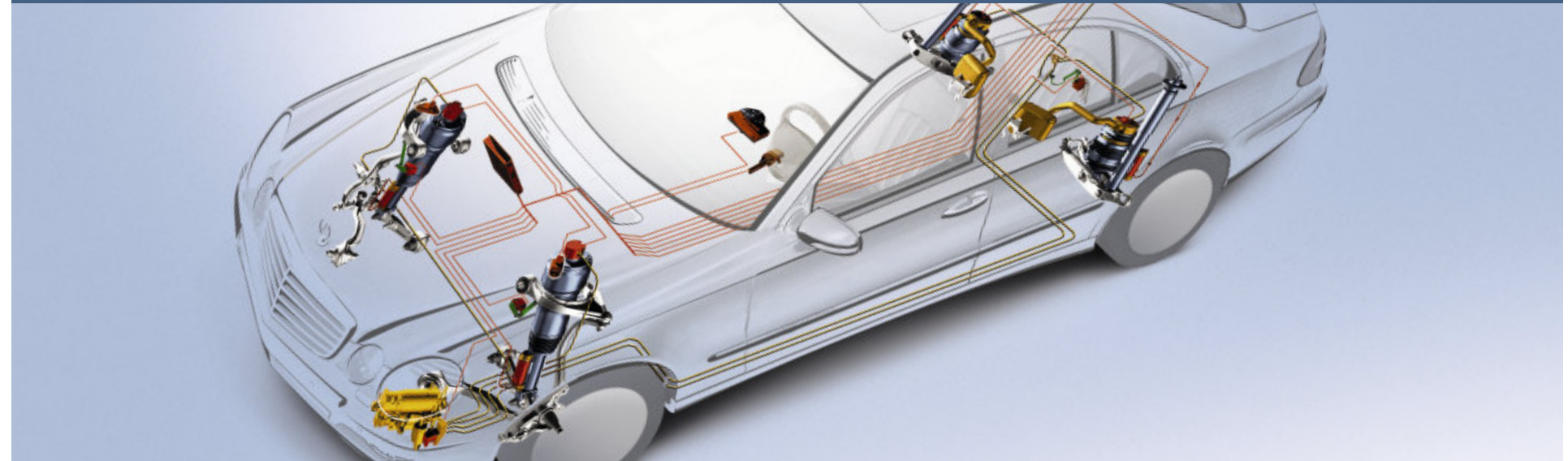
امداد خودرو فارس

تلفن شبانه روزی: ۰۲۱-۸۸۶۲۰۸۵

FarmaSOS.com



Handling



MULTILINK SUSPENSION ●

The E-Class uses a 4-wheel multilink suspension¹ for exceptional poise and control, even under severe braking. The 5-arm rear multilink design—a Mercedes-Benz innovation—controls rear-wheel movement with outstanding precision. For more dynamic handling, the front axle assembly, front suspension and steering gear are all preassembled along with the engine and transmission on an extraordinarily rigid steel subframe. The use of lightweight/high-strength aluminum suspension components helps reduce unsprung weight and improve handling.

Standard all models.

BRAKES ●

For stopping power and control, the E-Class is endowed with four large internally ventilated disc brakes² for powerful, nearly fade-free stopping control. The Brake Drying feature is designed to increase stopping performance in wet conditions by intermittently (and imperceptibly) pressing the brake pads against the rotors when the windshield wipers are in use to remove any excess water on the rotors. The Predictive Brake Priming feature sets the brake pads closer to the discs when the driver quickly releases the accelerator, for faster brake response.

Standard all models.

VEHICLE-SPEED-SENSITIVE STEERING ●

At lower speeds, the vehicle-speed-sensitive power rack-and-pinion steering delivers more power assist for easy handling. At higher speeds, the amount of power is adjusted for improved road feel and control.

Standard all models.

AIRMATIC SEMI-ACTIVE SUSPENSION ● —

For a balanced, comfortable ride, the E-Class employs electronically controlled air springs, which adjust to changing driving conditions. Airmatic also lowers the ride height at higher speeds for improved aerodynamics and fuel efficiency. To help compensate for additional cargo or passenger weight, Airmatic automatically levels the vehicle. The E 63 AMG uses an even more advanced, AMG-calibrated system with enlarged stabilizer bars for assured handling during sporty driving maneuvers.

Standard E 550 and E 63 AMG. Not available E 350 Sedan and Wagon and E 320 BLUETEC.

ADAPTIVE DAMPING SYSTEM (ADS-II) ● —

Part of Airmatic, the Adaptive Damping System lets you tailor your driving experience with selectable driving modes—Sport and Comfort—at the touch of a button. ADS-II continually optimizes ride and handling by individually adjusting each wheel's shock-absorption rate every time the wheel changes its direction of up-down travel.

Standard E 550 and E 63 AMG. Not available E 350 Sedan and Wagon and E 320 BLUETEC.

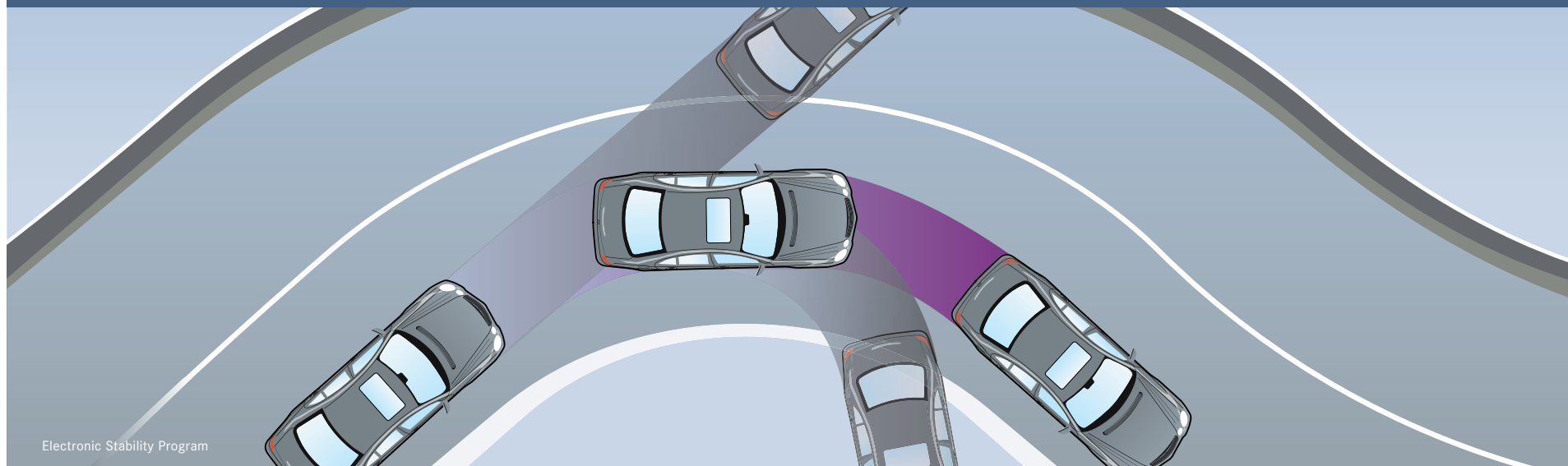
4MATIC™ PERMANENT ALL-WHEEL DRIVE WITH 4-WHEEL ELECTRONIC TRACTION SYSTEM (4-ETS) ● ○ —

For enhanced traction, even in slippery conditions, the Mercedes-Benz 4MATIC permanent all-wheel drive system incorporates our advanced 4-wheel Electronic Traction System. 4-ETS can get you going even when only one wheel has grip. Sensors at each wheel monitor traction. If one or more wheels start to slip, 4-ETS can brake those wheels individually and shift power to the wheel or wheels with the most traction. It can rebalance power seamlessly and enhances the overall effectiveness of 4-wheel drive.

Standard E 350 Wagon. Optional E 350 Sedan and E 550. Not available E 320 BLUETEC and E 63 AMG.

E 350 Wagon shown in optional Granite Grey metallic paint with optional Premium 2 Package.

¹ Rear-wheel-drive models use a 4-link front suspension. 4MATIC models use a double wishbone front suspension.
² E 320 BLUETEC uses solid rear disc brakes.



Electronic Stability Program

MERCEDES-BENZ SAFETY PHILOSOPHY ●

At Mercedes-Benz, safety goes well beyond engineering vehicles that help protect you in an accident. Our safety philosophy takes a proactive approach to many aspects of driving safety: PERFORM-SAFE systems, such as the Electronic Stability Program and Brake Assist, help you avoid a dangerous situation; PRE-SAFE enables the vehicle to anticipate and prepare for certain potential collisions; PASSIVE-SAFE includes features such as air bags¹ and seat-belt tensioners; and POST-SAFE systems like automatic engine cutoff are designed to help minimize the risk to occupants in the immediate aftermath of a crash involving air-bag deployment and help facilitate rapid assistance of rescue workers via our Tele Aid notification service.² No other automaker takes safety more seriously than the one that invented crumple zones, the Electronic Stability Program and other safety advancements.

Standard all models.

PRE-SAFE* ●

A revolutionary development in Mercedes-Benz safety technology, the PRE-SAFE system continuously monitors driving conditions to help sense and prepare for an impending accident. PRE-SAFE uses sensors from two of the active safety systems already in every E-Class: BAS and ESP. If certain circumstances suggest that a possible accident is imminent, PRE-SAFE takes action to help protect you better: it will tighten the seat belts of the belted front-seat occupants while the occupied front passenger's seat adjusts to a more favorable position, for improved air-bag effectiveness. If severe skidding suggests a possible rollover, PRE-SAFE closes the sunroof and side windows.³

Standard all models.

1 WARNING: THE FORCES OF A DEPLOYING AIR BAG CAN CAUSE SERIOUS OR FATAL INJURIES TO A CHILD UNDER AGE 13. THE SAFEST SEATING POSITION FOR YOUR CHILD IS IN THE REAR SEAT, BELTED INTO AN APPROPRIATE, PROPERLY INSTALLED CHILD SEAT, OR CORRECTLY WEARING A SEAT BELT IF TOO LARGE FOR A CHILD SEAT. SEE OPERATOR'S MANUAL FOR ADDITIONAL WARNINGS AND INFORMATION ON AIR BAGS, SEAT BELTS AND CHILD SEATS. 2 Tele Aid equipment is standard on all E-Class models. First year's Tele Aid Security & Care service provided at no additional cost with subscription. Subscription and acquaintance call required for service to be active. Service operates only where cellular and GPS coverage are available, and requires adequate power supply. Owner must authorize vehicle tracking by providing passcode and a valid stolen vehicle police report number. PIN code required to activate Remote Door Unlock. See dealer for details of telematics services. 3 A small gap is left near the full-close position. For vehicles with Panorama Roof, PRE-SAFE will not automatically close the sunroof. 4 No system, regardless of how advanced, can overcome the laws of physics or correct careless driving. Please always wear your seat belt. Performance is limited by available traction, which snow, ice and other conditions can affect. Always drive carefully, consistent with conditions. Best performance in snow is obtained with winter tires. 5 Braking effectiveness also depends on proper brake system maintenance, and tire and road conditions.

ELECTRONIC STABILITY PROGRAM (ESP)* ●

Tracking a wide range of factors – from steering and braking inputs to acceleration, yaw and individual wheel speeds – the state-of-the-art Electronic Stability Program compares the driver's intended course to the vehicle's response, for worry-free driving. ESP brakes individual front or rear wheels and increases or reduces engine power to help correct understeer (plowing ahead when trying to turn) and oversteer (fishtailing). In addition, ESP integrates all-speed traction control, which senses wheel slip under acceleration and individually brakes the slipping wheel or wheels, increasing or reducing engine power as needed until control is regained.⁴ Mercedes-Benz pioneered this safety landmark in 1995 and has continued to refine its exacting performance ever since.

Standard all models.

BRAKE ASSIST (BAS)* ●

Research has shown that drivers rarely apply the brakes hard enough, soon enough during an emergency situation. BAS monitors pedal application speed to sense emergency braking and will provide additional braking power.

Standard all models.

ACTIVE FRONT HEAD RESTRAINTS ●

In the case of a rear impact exceeding a preset threshold, the Active Front Head Restraints move forward and slightly upward, reducing the distance between the head restraint and the front-seat occupants' heads. This action helps limit the rearward travel of their heads, thus reducing the possibility of whiplash-type neck injuries.

Standard all models.

INTEGRATED RESTRAINT SYSTEM ●

The E-Class features the 10-way protection of an 8-air bag system. It includes dual-stage front air bags, front and 2nd-row side-impact air bags and full-length Window Curtain Air Bags. The Window Curtain Air Bags deploy along the front and rear windows on the affected side of the vehicle (E350 Wagon Window Curtain Air Bags extend only to the 2nd row). When combined with properly worn seat belts, they help protect outboard occupants from head injury and broken glass in certain side impacts or rollovers. Seat belts are arguably the most important passive safety feature, so the E-Class incorporates 3-point seat belts for all seating positions with Emergency Tensioning Devices (ETDs) and adaptive front-seat belt force limiters. In the event of a collision exceeding a preset threshold, the ETDs use a pyrotechnic charge to instantly remove slack from the seat belts. Adaptive front-seat belt force limiters allow a slight amount of give in the seat belts. This helps to more evenly distribute the forces between the seat belts and air bags, and reduces the peak seat-belt forces on the occupant.

Standard all models.

BODY STRUCTURE ●

At the core of the PASSIVE-SAFE system is the body of the E-Class, which forms a formidable safety structure. High-Strength/Low-Alloy steel is used in many areas throughout the vehicle. Full-width front and rear crossmembers, along with a reinforced floorpan, doors and door sills, combine to provide protection in a variety of impacts. Advanced front and rear crumple zones progressively deform to help absorb the energy of an impact, while underhood components are staggered to help prevent them from stacking up in a frontal impact, thereby reducing the likelihood of intrusion into the cabin. An ellipsoidal front bulkhead helps channel some of the forces of a frontal impact under, over and around the passenger cabin.

Standard all models.

● Standard. ○ Optional or included with a package.

Safety



امداد خودرو
روزی: ۰۸۵-۸۸۶۲۰۲۱

FarmaSOS.com

Color and Trim



تعمیر و نگهداری خودرو فارما

تلفن: ۰۲۱-۸۸۶۲۰۸۵

FarmaSOS.com

DESIGN AN E-CLASS ALL YOUR OWN

Customize the look of your E-Class to reflect your personal style. First choose from a variety of metallic and non-metallic exterior paints. Then add to that palette your favorite available upholstery color and material choices. Burl Walnut high-gloss wood comes as standard trim, or Black Birdseye Maple wood if you order the Sport Package; Black Birdseye Maple wood also comes standard on the E 63 AMG. (The Sport Package is not available on the E 350 Wagon, E 320 BLUETEC or E 63 AMG.) All exterior paint colors are available with all single-tone and Black/Sahara Beige upholstery colors (Black/Cognac Brown is available with select paint colors). E 350 models and E 320 BLUETEC also come with MB-Tex upholstery standard and leather as an optional upgrade, combined with high-gloss wood trim. With this many choices, there's bound to be a combination for you.

NANO-PARTICLE PAINT:

BEAUTY AT THE FOREFRONT OF SCIENCE; PROTECTION AT THE MOLECULAR LEVEL ●

To keep your vehicle's exterior looking its best for a long, long time, Mercedes-Benz went to the edge of scientific exploration: nanotechnology. Mercedes-Benz incorporates microscopic ceramic nano-particles into the clearcoat of the paint. Each ceramic nano-particle is tens of thousands of times thinner than a human hair (just 0.000001 millimeters in diameter), but when joined together they are incredibly durable. When the clearcoat is applied, the nano-particles float around freely in the liquid paint. As the paint cures, the particles cross-link into a strong, dense network, almost like an invisible chain-link fence. The resulting finish offers considerably greater and longer-lasting resistance to fine scratches—such as those caused by car washes and environmental factors—than conventional paint finishes, for an enduring deep gloss.

Standard all models.

WOOD TRIM		INTERIOR UPHOLSTERY AND TRIM			SPORT PACKAGE INTERIOR ³		EXTERIOR PAINTWORK										
Gloss		Available in MB-Tex and Leather ²			Leather		Non-Metallic					Metallic ⁴					
Burl Walnut	Black Birdseye Maple ¹	Ash	Cashmere	Black	Black/Sahara Beige	Black/Cognac Brown	040 Black	650 Arctic White	197 Obsidian Black	300 Jade Green ⁵	353 Platinum Blue ⁵	359 Capri Blue ⁵	368 Flint Grey	544 Barolo Red ⁵	723 Pewter	747 Granite Grey ⁵	775 Iridium Silver

¹ Only available with E 350 and E 550 Sport Sedans and E 63 AMG. ² Standard E 550. Optional Premium Leather on E 350 Sedan and Wagon and E 320 BLUETEC. E 63 AMG has Nappa leather. ³ Optional E 350 and E 550 Sport Sedans. Not available E 350 Wagon, E 320 BLUETEC and E 63 AMG.

⁴ Optional at extra cost on E 350 Sedan and Wagon and E 320 BLUETEC. ⁵ Not available with Black/Cognac Brown upholstery.

● Standard. ○ Optional or included with a package.


designo ESPRESSO EDITION¹
designo GRAPHITE EDITION¹


Be stirred by the beauty of *designo* Mocha Black paint. Drink in the warmth of a Charcoal interior with the supple contrast of *designo* Pastel Yellow Nappa leather² on the seats, complemented by hand-polished Umber Maple wood trim on the dashboard, console, doors and steering wheel³ and topped with a sleek Charcoal Alcantara roofliner. The front-seat backrests flaunt the signature *designo* metal plate. The perfect finishing touch: leather-trimmed *designo* floor mats. So wherever you go, you'll always be going in high style.

Dressed in *designo* Graphite metallic paint, the E-Class is the definition of quiet sophistication. Inside, a world of hushed elegance is created by a Charcoal interior hand-fitted with a chic charcoal Alcantara headliner, sumptuous *designo* Cortecchia Nappa leather² and rich brown Cinnamora Matte wood trim. The front-seat backrests flaunt the signature *designo* metal plate. Sensual delights include wood and Black leather on the steering wheel³ and shift knob, and the softness of plush black *designo* floor mats exquisitely edged in leather.

033 Mocha Black

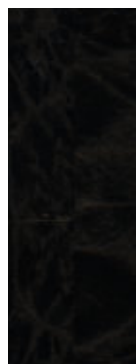
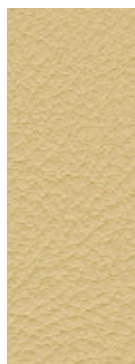
Pastel Yellow

Umber Maple

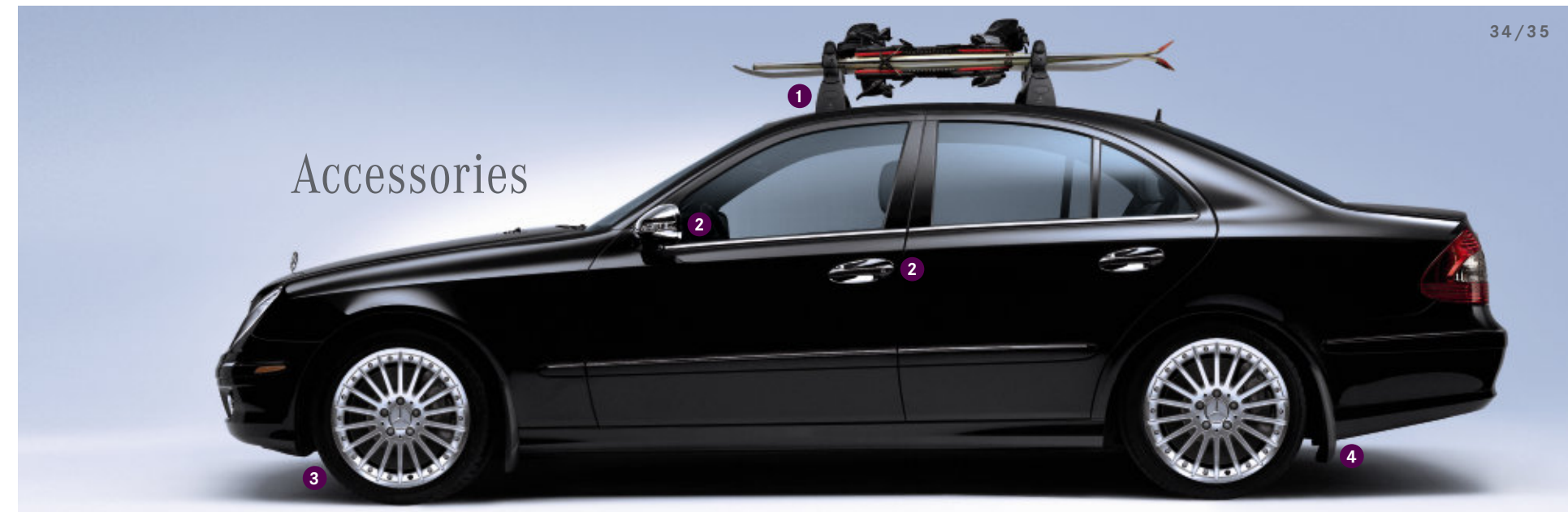
041 Graphite

Cortecchia

Cinnamora Matte



¹ E 350, E 320 BLUETEC and E 550 *designo* editions require optional heated front seats. ² 3rd-row seat in E 350 Wagon upholstered in Black Nappa leather. ³ E 63 AMG *designo* editions include steering wheel trimmed exclusively in Black leather.



Accessories

1 ROOF RACK BASIC CARRIER

Whether you're hitting the slopes or the mall, the roof rack basic carrier can attach a large assortment of items to your E-Class Sedan or Wagon. It lets you transport possessions securely while maintaining the elegance of the E-Class. The roof rack basic carrier can also be enhanced with available components to accommodate bicycles, ski and snowboard racks and more. The basic ski rack holds two snowboards or four pairs of skis, while the deluxe model accommodates up to four snowboards or six pairs of skis, plus a useful pull-out function for loading. And optional cargo containers help you create room for sports equipment and luggage. Aerodynamic and lightweight, yet exceptionally durable, our cargo containers come in a range of sizes sure to make any trip a success.

2 EXTERIOR CHROME MIRROR HOUSINGS

The E-Class already boasts one of the sleekest exteriors ever designed. But our high-shine exterior chrome mirror housings, available in sets of two, further heighten that look to complement the gleaming array of coordinating exterior qualities. Our chrome door-handle inserts add yet another layer of sophistication while helping protect your vehicle's finish from scratches. A third offering, chrome window trim, comes in a set of four to sharpen the E-Class profile and brighten its overall glow.

3 WHEELS¹

Among the most popular accessories are our many wheel varieties. Sporty as well as stylish, our wheels are available in a range of sizes, spoke numbers and materials: from 2-piece 17" multispoke wheels in a sterling silver finish, to 18" 5-spoke wheels in a sterling silver finish, to 18" multispoke forged wheels in a flashing bi-color finish with anthracite and a high-shine polish, and many more. All of our selections give your Mercedes-Benz greater stature and refined personalization.

4 MUD FLAPS

Specially designed to match the inimitable contours of the E-Class, these durable-formed black plastic mud flaps help protect your vehicle from loose small-road debris, rocks and salty road spray. The mud flaps come in pairs for the front and rear of all E-Class vehicles, except AMG models and vehicles equipped with the Sport Package.

REAR SPOILER

The dynamic new rear spoiler sharpens the sporty design of your E-Class sedan to a razor-keen edge. Tailor-made of high-quality material for quick installation, it makes for a perfect fit immediately and comes primed for fresh paint.

iPOD[®] INTEGRATION KIT

Taking your personal music collection with you wherever you drive has never been easier, thanks to the seamless integration of your iPod² into the audio system of your Mercedes-Benz E-Class. The steering wheel lets you both view the track information display and control iPod buttons like Volume, Select and Change Menu. When used with an interface that is compatible with any dock-connector-equipped iPod device, the iPod Integration Kit even allows your iPod to charge itself while playing.

ILLUMINATED DOOR SILLS

Light up your E-Class with radiant style every time you open the door with luminous blue "Mercedes-Benz" stainless-steel door sills. Available in sets of two or four, they accent the refined cabin appointments with an extra dash of class.

CHROME HEADLAMP RINGS

Available in sets of four, our chrome headlamp rings embolden the distinctive front end of your E-Class. In the process, the rings not only recast the grille and surrounding area in a brighter light—they add yet another sheen of elegance to the entire vehicle.



Rear spoiler



Illuminated door sill



Chrome headlamp rings

¹ Lower aspect ratio tires and accompanying wheels provide substantially increased treadwear, increased tire noise and reduced ride comfort. Serious wheel and tire damage may occur if the vehicle is operated on rough or damaged road surfaces or upon encountering road debris or obstacles. These tires are not designed for use on snow and ice. Winter tires mounted on appropriately sized and approved wheels are recommended for driving in those conditions. ² iPod is a registered trademark of Apple Computer, Inc. All iPod devices are sold separately. Feature not available with iPod Shuffle. See dealer for details.

اپل خودرو فارما

تلفن مشاوره رایگان: ۰۲۱-۸۸۶۲۰۸۵

FarmaSOS.com

SPECIFICATIONS AND EQUIPMENT				
ENGINE	E 350 SEDAN and WAGON	E 320 BLUETEC ¹	E 550	E 63 AMG
Engine size and type Construction	3,498-cc DOHC 24-valve V-6 High-pressure die-cast aluminum-alloy cylinder block.	2,987-cc DOHC 24-valve V-6 Aluminum cylinder block with cast-iron cylinder sleeves.	5,461-cc DOHC 32-valve V-8 High-pressure die-cast aluminum-alloy cylinder block.	6,208-cc AMG-built DOHC 32-valve V-8 High-pressure die-cast aluminum-alloy cylinder block.
Net power	268 hp @ 6,000 rpm	208 hp @ 3,800 rpm	382 hp @ 6,000 rpm	507 hp @ 6,800 rpm
Net torque	258 lb-ft @ 2,400-5,000 rpm	388 lb-ft @ 1,600-2,400 rpm	391 lb-ft @ 2,800-4,800 rpm	465 lb-ft @ 5,200 rpm
Compression ratio	10.7:1	16.5:1	10.7:1	11.3:1
Fuel and ignition system	Sequential fuel injection and single-spark ignition.	Electronically controlled ultra-high-pressure Common-rail Direct Injection (CDI4).	Sequential fuel injection and single-spark ignition.	Sequential fuel injection and single-spark ignition.
Fuel requirement	Premium unleaded gasoline, 91 pump octane.	Ultra-low-sulfur diesel fuel.	Premium unleaded gasoline, 91 pump octane.	Premium unleaded gasoline, 91 pump octane.
Fuel tank (capacity—reserve)	21.1 gal—2.4 gal	21.1 gal—2.4 gal	21.1 gal—2.4 gal	21.1 gal—2.4 gal
DRIVETRAIN	E 350 SEDAN and WAGON	E 320 BLUETEC ¹	E 550	E 63 AMG
Transmission type	7-speed automatic. 5-speed automatic (with 4MATIC and on Wagon).	7-speed automatic.	7-speed automatic. 5-speed automatic (with 4MATIC).	AMG-enhanced 7-speed automatic with AMG SPEEDSHIFT.
Transmission features	Electronically controlled shifting. Driver-adaptive programming adjusts shift points to the driver's current driving style. Touch Shift permits the driver to manually downshift and allows upshifts by nudging the shift lever left or right of the Drive position. Shift into Optimum Gear programming allows one-touch selection of the best gear for maximum acceleration or engine braking by holding the shift lever to the left of Drive for one second. Driver-selectable Comfort mode starts the vehicle moving in 2nd gear, or 2nd Reverse gear, and upshifts at lower rpm, to help improve control on slippery surfaces.			
AMG SPEEDSHIFT [™] with Manual mode	Not available.	Not available.	Not available.	Standard.

E63 AMG only: AMG SPEEDSHIFT programming provides up to 50% faster gear changes, automatically downshifts during braking, prevents unwanted upshifting while cornering and features torque converter lockup in all forward gears. Manual mode allows direct-access shifting through forward gears via paddles on backs of upper steering-wheel spokes (left paddle downshifts, right paddle upshifts) or via Touch Shift feature of shift lever, and will automatically intervene only to select 1st gear when the vehicle stops. In Standard and Comfort modes, the steering-wheel paddles operate the Touch Shift feature.

Drive configuration	Sedan: Rear-wheel drive (4MATIC optional). Wagon: 4MATIC permanent all-wheel drive.	Rear-wheel drive.	Rear-wheel drive (4MATIC optional).	Rear-wheel drive.
---------------------	--	-------------------	-------------------------------------	-------------------

Rear axle ratio	3.07:1 (3.27:1 with 4MATIC)	2.65:1	2.65:1 (3.07:1 WITH 4MATIC)	2.82:1
-----------------	-----------------------------	--------	-----------------------------	--------

TRACTION/STABILITY	E 350 SEDAN and WAGON	E 320 BLUETEC ¹	E 550	E 63 AMG
Electronic Stability Program (ESP [®])	ESP compares the driver's intended course, via steering and braking inputs, to the vehicle's response, via lateral acceleration, rotation (yaw) and individual wheel speed. ESP then brakes individual front or rear wheels and/or reduces excess engine power as needed to help correct understeer (plowing) or oversteer (fishtailing). ESP also integrates all-speed traction control, which senses drive-wheel slip under acceleration and individually brakes the slipping wheel or wheels, and/or reduces excess engine power, until control is regained. ²			
4MATIC [™] permanent all-wheel drive with 4-wheel Electronic Traction System (4-ETS)	Optional on Sedan. Standard on Wagon.	Not available.	Optional.	Not available.

4-ETS monitors the speed of all four wheels to detect wheel slip, then applies individual brakes as needed (to provide the effect of locking the front, rear and/or center differentials) and/or reduces excess engine power. 4-ETS continually balances the torque split to help ensure that power is permitted to flow to the wheel or wheels with traction.

PERFORMANCE	E 350 SEDAN and WAGON	E 320 BLUETEC ¹	E 550	E 63 AMG
Acceleration ³	Sedan: 6.5 seconds. Wagon: 6.9 seconds.	6.6 seconds.	5.4 seconds.	4.3 seconds.
Fuel economy, EPA estimate ⁴ /highway estimate ⁵	Sedan: 19 mpg/27 mpg Wagon: 18 mpg/26 mpg	27 mpg/37 mpg	Unavailable at time of publication. See dealer for details.	Unavailable at time of publication. See dealer for details.
CHASSIS	E 350 SEDAN and WAGON	E 320 BLUETEC ¹	E 550	E 63 AMG
Suspension configuration	Front: Independent 4-link (rear-wheel-drive models) or double wishbone (4MATIC models). Stabilizer bar. Rear: Independent 5-arm multilink. Stabilizer bar.			
Steel spring system	E 350 and E 320 BLUETEC Sedans: Coil springs and gas shock absorbers. E 350 Wagon: Front coil springs over gas shock absorbers. Rear Airmatic suspension with automatic level control and gas shock absorbers.			
Airmatic Semi-Active Suspension with Adaptive Damping System (ADS-II)	Not available.	Not available.	Standard.	Standard AMG-calibrated with enlarged stabilizer bar.
Steering	ADS-II is an electronically controlled system that instantly adjusts Airmatic's spring-struts to the road and driving conditions to optimize ride and handling. Power-assist vehicle-speed-sensitive rack-and-pinion steering. Turning circle: 37.4 ft curb-to-curb.			

WHEELS/TIRES	E 350 SEDAN and WAGON	E 320 BLUETEC ¹	E 550	E 63 AMG
Wheels	17" 7-spoke, 8.0x17	16" 5-twin-spoke, 8.0x16	17" 5-spoke, 8.0x17	AMG 18" 5-spoke, 8.5x18/9.0x18 staggered. ⁶
with Sport Package (N/A on E350 Wagon)	18" 10-twin-spoke, 8.5x18/9.0x18 staggered. ⁶ 8.5x18 front/rear with 4MATIC option.	Not available.	18" 10-twin-spoke, 8.5x18/9.0x18 staggered. ⁶ 8.5x18 front/rear with 4MATIC option.	Not available.
Tires	245/45 R17, all-season performance.	255/55 R16, all-season performance.	245/45 R17, all-season performance.	245/40 ZR18 front and 265/35 ZR18 XL rear, high-performance. ⁶
with Sport Package	245/40 R18 front and 265/35 R18 rear, all-season performance. ⁶ (245/40 R18 front/rear with 4MATIC option).	Not available.	245/40 R18 front and 265/35 R18 rear, all-season performance. ⁶ (245/40 R18 front/rear with 4MATIC option).	Not available.

SPECIFICATIONS AND EQUIPMENT				
BRAKES	E 350 SEDAN and WAGON	E 320 BLUETEC ¹	E 550	E 63 AMG
Brake system	Dual-circuit power-assist 4-wheel disc.	Dual-circuit power-assist 4-wheel disc.	Dual-circuit power-assist 4-wheel disc.	AMG-enhanced dual-circuit power-assist 4-wheel disc.
Brake discs—calipers, front	13.0" ventilated—single-piston floating (4-piston fixed with Sport Sedan).	12.3" ventilated—single-piston floating.	13.0" ventilated—4-piston fixed.	14.2" compound perforated and ventilated—AMG 6-piston fixed.
Brake discs—calipers, rear	11.8" ventilated—single-piston floating.	11.8" solid—single-piston floating.	11.8" ventilated—single-piston floating.	13.0" compound perforated and ventilated—AMG 4-piston fixed.
Antilock Braking System (ABS)	ABS senses impending wheel lockup under heavy braking and pumps the front brakes individually or the rear brakes together (to help maintain stability) as needed up to 30 times per second to prevent lockup and maintain steering ability.			
Brake Assist (BAS)	BAS senses emergency braking via the speed at which the driver presses the brake pedal and immediately applies maximum available power boost, potentially reducing the overall stopping distance by eliminating the delay caused by a common human tendency not to brake hard enough, soon enough. Reducing pressure on the brake pedal releases Brake Assist. ⁷			

EXTERIOR DIMENSIONS	Sedans	Wagon
Wheelbase	112.4 in	112.4 in
Overall length	191.0 in	192.3 in
Overall height	58.4 in	59.3 in ⁸
Overall width	71.7 in	71.7 in
Track, front	61.3 in	61.3 in
Track, rear	61.1 in	61.1 in
Drag coefficient	0.27 (E63 AMG: 0.29)	0.31
Curb weight		
E 350	3,740 lb	4,245 lb
E 320 BLUETEC	3,860 lb	
E 550	3,885 lb	
E 63 AMG	4,035 lb	

E 350 SEDAN	E 350 WAGON	E 320 BLUETEC	E 550 SEDAN	E 63 AMG	EXTERIOR
●	●	●	●	—	Atlas Grey grille with four chrome ribs and chrome surround.
○ ⁹	—	—	○ ⁹	●	Black grille with four chrome ribs and chrome surround.
—	—	—	—	●	AMG-design front air dam with mesh air intakes and rear apron.
○ ⁹	—	—	○ ⁹	●	Polished chrome exhaust tips.
●	●	●	●	●	Power tilt/sliding tinted-glass sunroof with one-touch express-open/close and memory.
●	●	●	●	●	Dual power mirrors, linked to driver's seat memory and automatically heated. Auto-dimming left-side mirror.
●	●	●	●	—	Neutral-tinted glass.
○ ⁹	—	—	○ ⁹	●	Blue-tinted glass.
●	●	●	●	●	Electrically heated rear window with auto-shutoff based on time and outside temperature.
●	●	●	●	●	Heated windshield washer reservoir.
●	●	●	●	●	Rain-sensing variable intermittent wipers measure rainfall on windshield and adjust wiper speed and frequency accordingly.
—	●	—	—	—	Intermittent rear-window wiper with wide-spray washer. When the front wipers are on, shifting to Reverse activates the rear-window wiper.
●	●	●	●	●	Variable-focus halogen headlamps with projector low beams. Halogen front foglamps. Single red rear foglamp, integrated within left taillamp.
●	●	●	●	●	Selectable light-sensing headlamps.
●	●	●	●	●	Driver-programmable daytime running lamps, with auto-on override in darkness.
●	●	●	●	●	Automatic lamp substitution uses a nearby lamp if a critical bulb fails.
●	●	●	●	●	Touch Turn Signals flash three times with one touch of turn-signal lever for lane changing. Auxiliary LED turn-signal indicators are integrated into side mirror housings.

INTERIOR					
●	●	●	●	●	Multifunction steering wheel provides convenient additional controls for basic audio, optional phone functions and operation of the multifunction display.
—	—	—	—	●	Steering-wheel shift paddles.
●	●	●	●	●	Power windows, all with one-touch express-up/down.
●	●	●	●	●	Electronic cruise control.
●	●	●	●	●	4-way (tilt/telescoping) power steering column, linked to driver's seat memory.
●	●	●	●	●	Driver-programmable easy-exit feature can raise steering wheel when SmartKey is removed from ignition, and restore position when key is reinserted.

INTERIOR DIMENSIONS			Sedans	Wagon
Front headroom			39.1 in	39.6 in
Front legroom			41.9 in	41.9 in
Rear headroom			37.8 in	39.3 in
Rear legroom			35.6 in	36.0 in
Cabin capacity			97.2 cu ft	96.2 cu ft
Cargo capacity			15.9 cu ft	24.4 cu ft (3rd-row seat folded) 68.9 cu ft (2nd-/3rd-row seat folded)

E 350 SEDAN	E 350 WAGON	E 320 BLUETEC	E 550 SEDAN	E 63 AMG	INTERIOR (continued)
●	●	●	●	●	Auto-dimming rearview mirror.
●	●	●	●	●	Front center console with wood-trimmed rolltop cover, enclosed storage compartment and removable dual cupholder.
●	●	●	●	●	12-volt power outlet in cabin and cargo area.
●	●	●	●	●	Folding rear center armrest with enclosed storage and dual cupholder.
—	●	—	—	—	Retractable/removable vertical partition net and horizontal luggage cover. Luggage cover rises electrically when tailgate is opened.

SEATING					
●	●	●	●	●	10-way power front seats, each with 3-position memory. Driver's and passenger's adjustable lumbar support. Driver's seat memory includes steering column and outside mirror positions.
—	—	—	—	●	AMG-design sport front seats.
○ ⁹	○ ⁹	○ ⁹	○ ⁹	●	Heated front seats.
○ ⁹	●	○ ⁹	○ ⁹	●	60/40-split-folding 2nd-row seatbacks and flip-forward seat cushions.
—	●	—	—	—	Folding rear-facing 2-passenger 3rd-row seat.
●	●	●	—	—	MB-TeX upholstery and trim.
○ ⁹	○ ⁹	○ ⁹	●	—	Premium Leather upholstery and trim.
—	—	—	—	●	AMG-design Nappa leather upholstery and trim with Alcantara shoulder inserts.
—	—	—	—	●	Alcantara-covered pillars, sun visors and headliner.
●	●	●	●	—	Leather-trimmed steering wheel and shift knob.
—	—	—	—	●	AMG-design leather-trimmed sport steering wheel with raised thumbgrips and shift-paddle controls.
—	—	—	—	●	Leather-trimmed AMG-design shift knob with matte chrome inlay.
●	●	●	●	○	Hand-polished Burl Walnut wood trim on dashboard, console, doors and shift gate.
○ ⁹	—	—	○ ⁹	●	Hand-polished Black Birdseye Maple wood trim on dashboard, console, doors and shift gate.

^[1] The E 320 BLUETEC does not meet emissions requirements for California, Maine, Massachusetts, New York or Vermont, and is not available in these states.
^[2] No system, regardless of how advanced, can overcome the laws of physics or correct careless driving. Please always wear your seat belt. Best performance in snow is obtained with winter tires.
^[3] Stated rates of acceleration are based upon manufacturer's track results and may vary depending on model, environmental and road surface conditions, driving style, elevation and vehicle load.
^[4] 2006 EPA estimated fuel economy. Compare the estimated mpg to the estimated mpg of other vehicles. You may get different mileage depending on how fast you drive, weather conditions and trip length.
^[5] 2007 figures for E 320 BLUETEC, E 550 and E 63 AMG not yet available at time of publication.
^[6] Your actual highway mileage will probably be less than the highway estimate.
^[7] 2007 figures for E 320 BLUETEC, E 550 and E 63 AMG not yet available at time of publication.
^[8] Lower aspect ratio tires and accompanying wheels provide substantially increased treadwear, increased tire noise and reduced ride comfort. Serious wheel and tire damage may occur if the vehicle is operated on rough or damaged road surfaces or upon encountering road debris or obstacles. These tires are not designed for use on snow and ice. Winter tires mounted on appropriately sized and approved wheels are recommended for driving in those conditions.

^[7] Braking effectiveness also depends on proper brake system maintenance, and tire and road conditions.
^[8] Includes roof rails.

^[9] Optional or part of an Option Package. See optional equipment listing on page 39.

SPECIFICATIONS AND EQUIPMENT

E 350 SEDAN	E 350 WAGON	E 320 BLUETEC	E 550 SEDAN	E 63 AMG	CLIMATE CONTROL
●	●	●	—	—	Dual-zone automatic climate control with individual driver and front passenger control of temperature, speed and airflow distribution.
—	—	—	●	●	4-zone automatic climate control. Rear-cabin operating panel with dual temperature, speed and airflow distribution controls.
●	●	●	●	●	Electrostatic dust and pollen filter.
●	●	●	●	●	Humidity/dewpoint sensor helps reduce window fogging during humid weather and helps prevent overdrying of cooled air.
●	●	●	●	●	Tunnel mode offers one-touch closing of all windows, the sunroof and cabin air intake via the air-recirculation button.

AUDIO/NAVIGATION/TELEMATICS

●	●	●	●	●	COMAND Cockpit Management and Data system integrates: <ul style="list-style-type: none"> AM/FM stereo/weatherband radio, single-CD player, 6-disc CD changer and a large color-LCD screen. Controls for optional DVD-based Navigation System, SIRIUS Satellite Radio and Hands-Free Communication System. 10 mode-dependent soft keys alongside screen for easy access to commands and menus.
---	---	---	---	---	--

●	●	●	●	●	harman/kardon® LOGIC7™ digital surround-sound system: <ul style="list-style-type: none"> 12 speakers, 420 watts including dual surround speakers plus a subwoofer (sedans) or bass enclosure (wagon). 7.1-channel amplifier. Multichannel digital surround-sound technology¹ originally developed for the professional recording industry, to provide a natural and realistic sound stage. Digital Dynamic Volume Control, to help preserve the sound balance under varying driving conditions.
---	---	---	---	---	--

●	●	●	●	●	Integrated single-feed 6-disc CD changer.
●	●	●	●	●	Auxiliary input jack in glovebox allows connection of an MP3 or digital music player to the audio system. (Not available with optional iPod® Integration Kit ²).

●	●	●	●	●	Fiber-optic network offers precise, high-speed communication among components and optional Hands-Free Communication System and SIRIUS Satellite Radio. ³
---	---	---	---	---	---

●	●	●	●	●	Tele Aid System uses GPS satellites plus a cellular link to provide 24-hour live assistance for: emergency aid (SOS button), information (f-button) or Roadside Assistance (Wrench button). Basic Tele Aid Security & Care service included. ⁴
---	---	---	---	---	---

INSTRUMENTATION

●	●	●	●	●	Electronic analog speedometer, tachometer and quartz clock. Electronic bar-graph fuel and coolant temperature gauges.
●	●	●	●	—	Black gauges with white markings, Glacier Blue backlighting and chrome rings.
○ ⁵	—	—	○ ⁵	—	Ivory-color gauges with soft white backlighting, chrome rings and matte chrome bezel.
—	—	—	—	●	AMG-design black gauges with white markings and AMG RACETIMER in multifunction display.
●	●	●	●	●	Digital display of odometer and Touch Shift gear/mode selection.

E 350 SEDAN	E 350 WAGON	E 320 BLUETEC	E 550 SEDAN	E 63 AMG	INSTRUMENTATION (continued)
●	●	●	●	●	Multifunction display in instrument cluster, scrolled via steering-wheel controls to operate and display various menus and vehicle features: <ul style="list-style-type: none"> Resettable trip meter and outside temperature indicator. Digital speedometer, Maintenance System (see below). Radio station, CD player/changer, iPod playlist/track (with accessory iPod Integration Kit²) and SIRIUS Satellite Radio.³ DVD-based Navigation System route guidance.⁴ Vehicle reminder and message indicator. Driver-programmable settings for instruments, lighting, vehicle and convenience features. Trip computer (elapsed time, fuel consumption and distance to empty). Telephone Integration Kit phone book.⁴ Distronic Adaptive Cruise Control settings.⁴
●	●	●	●	●	Mercedes-Benz Maintenance System Plus displays distance remaining to next basic maintenance service, indicates type of service due and provides automatic reminder feature when service interval draws near. System also monitors brake-pad wear.
●	●	●	●	●	Messages/audible reminders for open door; exterior lamp failure; low fuel, engine oil, coolant or washer fluid; and to release parking brake, switch off headlamps or remove ignition key.

●	●	●	●	●	Mercedes-Benz Maintenance System Plus displays distance remaining to next basic maintenance service, indicates type of service due and provides automatic reminder feature when service interval draws near. System also monitors brake-pad wear.
---	---	---	---	---	---

●	●	●	●	●	Messages/audible reminders for open door; exterior lamp failure; low fuel, engine oil, coolant or washer fluid; and to release parking brake, switch off headlamps or remove ignition key.
---	---	---	---	---	--

LOCKING/SECURITY

●	●	●	●	●	SmartKey remote control integrates: Remote Door Lock/Unlock buttons, Tailgate Unlock button (or power tailgate open) and panic alarm. Driver may selectively unlock only the driver's door and fuel filler, or all doors plus the tailgate and fuel filler.
---	---	---	---	---	---

●	●	●	●	●	SmartKey offers infrared-remote opening/closing of windows and sunroof.
---	---	---	---	---	---

●	●	●	●	●	SmartKey remote locking uses redundant infrared and radio-frequency signals for improved range and rolling-code signals for protection from transmitter cloning.
---	---	---	---	---	--

●	●	●	●	●	Driver-programmable driveaway locking automatically locks the doors when the car reaches 9 mph.
---	---	---	---	---	---

●	●	●	●	●	Night security illumination uses the car's exterior lights to help illuminate a path after parking. Driver-programmable intervals allow lights to stay on for 15 seconds, or not at all.
---	---	---	---	---	--

●	●	●	●	●	Locator lighting uses the car's lights to help illuminate a return path when the car is remote-unlocked in darkness. Unlocking car activates illuminated entry system.
---	---	---	---	---	--

●	●	●	●	●	Integrated 3-button garage door control, compatible with HomeLink®
---	---	---	---	---	--

●	●	●	●	●	Tele Aid System includes: ⁴ <ul style="list-style-type: none"> Tele Aid GPS-based Stolen Vehicle Recovery helps law enforcement agencies track and recover stolen vehicles. Tele Aid Remote Door Unlock allows the owner to have doors automatically unlocked in the event the SmartKey gets locked inside the vehicle.
---	---	---	---	---	--

SPECIFICATIONS AND EQUIPMENT

E 350 SEDAN	E 350 WAGON	E 320 BLUETEC	E 550 SEDAN	E 63 AMG	RESTRAINT SYSTEMS
●	●	●	●	●	Integrated Restraint System:⁷ <ul style="list-style-type: none"> Driver and front passenger are each provided with a dual-stage front air bag (front passenger has adaptive dual-stage front air bag), side-impact air bags and a 3-point seat belt with an Emergency Tensioning Device (ETD) and adaptive belt force limiter.⁷ Outboard 2nd-row passengers are each provided with a side-impact air bag and 3-point seat belt with an ETD and adaptive belt force limiter.⁷ Center 2nd-row passengers and 3rd-row passengers (wagons) are each provided with a 3-point seat belt.

●	●	●	●	●	Window Curtain Air Bags:⁷ <ul style="list-style-type: none"> In a side impact exceeding a preset threshold, a multichamber air bag deploys along the front and rear side-door windows on the affected side of the vehicle.⁷ Integrated rollover sensor automatically deploys the ETDs and, if deemed necessary, the Window Curtain Air Bags in the event of certain rollovers.
---	---	---	---	---	---

●	●	●	●	●	Adaptive dual-stage front passenger air bag is deployed in response to frontal impact severity. ⁷
---	---	---	---	---	--

●	●	●	●	●	Occupant Classification System (OCS):⁸ <ul style="list-style-type: none"> Automatically adjusts the front passenger's front air-bag inflation rate based on the weight category determined by weight sensor readings from the front passenger seat.
---	---	---	---	---	--

●	●	●	●	●	ETDs are deployed in a front or rear impact exceeding a preset threshold of severity, or certain rollovers. A front ETD will not deploy if seat belt is unfastened.
---	---	---	---	---	---

●	●	●	●	●	Tele Aid Automatic Collision Notification engages the SOS function if an air bag or ETD deploys. ⁷
---	---	---	---	---	---

●	●	●	●	●	Universal LATCH system (Lower Anchors and Tethers for Children) at outboard rear seating positions. Selectable passenger seat-belt retractors help secure child seats.
---	---	---	---	---	--

●	●	●	●	●	Front seat belts include manually height-adjustable shoulder belts and lower points attached to seat frames. Outboard 2nd-row shoulder belts are automatically height-adjusting (sedans) or manually height-adjustable (wagons).
---	---	---	---	---	---

●	●	●	●	●	Active Front Head Restraints power-adjust for height, manually adjust fore-aft and automatically height-adjust as seat is moved fore-aft.
---	---	---	---	---	---

●	●	●	●	●	PRE-SAFE® helps prepare occupants for a possible collision before it occurs. If, by monitoring or recognizing circumstances where the capabilities of Brake Assist or the Electronic Stability Program (ESP®) are exceeded, PRE-SAFE senses a possible accident, it will take actions to help protect you better, including: <ul style="list-style-type: none"> Electrically tensioning the front seat belts. Adjusting the front passenger seat for potentially more favorable air-bag and seat-belt effectiveness. Closing the sunroof (if a possible rollover is detected). If no collision occurs, PRE-SAFE reverses the front seat-belt tensioners, and occupants may readjust their seats and the sunroof.
---	---	---	---	---	---



18" 10-twin-spoke sport wheel.

CHILD 12 MONTHS OLD OR LESS, PLUS THE WEIGHT OF A STANDARD APPROPRIATE CHILD RESTRAINT. SEE OPERATOR'S MANUAL FOR IMPORTANT ADDITIONAL INFORMATION ON THIS SYSTEM, AND FOR FURTHER INFORMATION REGARDING THE TRANSPORTATION OF CHILDREN HEAVIER THAN A TYPICAL 12-MONTH-OLD. 9 While the Navigation System provides directional assistance, the driver must remain focused on safe driving behavior, including paying attention to traffic and street signs. The driver should utilize the system's audio cues while driving and should only consult the map or verbal displays once the vehicle has been stopped in a safe place. Maps do not cover all areas nor all routes within an area.

E 350 SEDAN	E 350 WAGON	E 320 BLUETEC	E 550 SEDAN	E 63 AMG	INDIVIDUAL OPTIONS
○	●	—	○	—	4MATIC™ permanent all-wheel drive (includes 5-speed automatic transmission).
—	—	—	—	○	Distronic Adaptive Cruise Control (see page 21).
○	—	○	○	○	Electronic Trunk Closer (Electronic Tailgate Closer standard on E 350 Wagon).
○	●	○	○	●	60/40-split-folding rear seatbacks and flip-forward seat cushions.
○	○	○	●	●	Premium Leather upholstery.
○	○	○	○	—	Wood-/leather-trimmed steering wheel (also included with <i>designo</i> editions, except E 63 AMG).
●	●	●	●	○	Burl Walnut wood interior trim.
○	—	○	○	○	Parktronic audiovisual parking assist (see page 21).
○	○	○	○	○	Metallic paint (no charge on E 550 models and E 63 AMG).
○	—	○	○	○	Panorama Roof.
○	○	—	○	—	17" 5-spoke chrome wheels.
○	○	○	○	○	Rear side-window blinds.

OPTION PACKAGES

○	—	—	○	—	Sport Package (no-charge option): <ul style="list-style-type: none"> 18" 10-twin-spoke alloy wheels. Sport rear bumper with dual chrome tailpipes. Lowered sport suspension. Blue-tinted glass. Black Birdseye Maple wood trim. Matte chrome gearshift gate. Ivory-color gauges.
---	---	---	---	---	--

○	○	○	○	○	Premium 1 Package: <ul style="list-style-type: none"> DVD-based Navigation System.⁹ SIRIUS Satellite Radio (standard E 63 AMG). Hands-Free Communication System. Power rear-window sunshade (rear side-window blinds on E 350 Wagon). E 350 Sedan and Wagon and E 320 BLUETEC also add: Heated front seats. E 550 and E 63 AMG also add: Active Ventilated front seats and comfort headrests.
---	---	---	---	---	---

○	○	○	○	○	Premium 2 Package: Includes contents of Premium 1 Package plus: <ul style="list-style-type: none"> Bi-Xenon headlamps with Active Curve Illumination. Corner-illuminating front foglamps. Heated headlamp washers. Keyless Go.
---	---	---	---	---	---

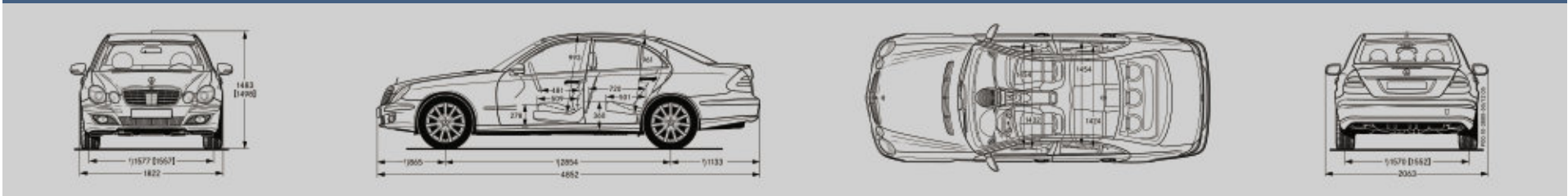
designo PACKAGES

○	○	○	○	○	Espresso Edition: <ul style="list-style-type: none"> <i>designo</i> Mocha Black metallic paint. Exclusive interior treatment in <i>designo</i> Pastel Yellow Nappa leather on seats and Umber Maple wood trim. Black leather and wood trim on steering wheel (except E 63 AMG) and shift knob. Black <i>designo</i> floor mats with leather trim. Alcantara roofliner.
---	---	---	---	---	--

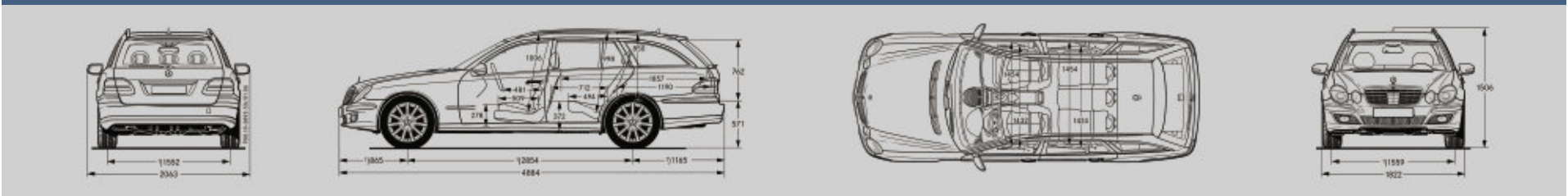
○	○	○	○	○	Graphite Edition: <ul style="list-style-type: none"> <i>designo</i> Graphite metallic paint. Exclusive interior treatment in <i>designo</i> Cortecchia Nappa leather on seats and Cinnamora Matte wood trim. Black leather and wood trim on steering wheel (except E 63 AMG) and shift knob. Black <i>designo</i> floor mats with leather trim. Alcantara roofliner.
---	---	---	---	---	--

1 Surround sound provided for FM radio, CD playback and optional SIRIUS Satellite Radio. 2 iPod is a registered trademark of Apple Computer, Inc. All iPod devices are sold separately. Feature not available with iPod Shuffle. See dealer for details. 3 Programming subject to change. Not available in Alaska, Hawaii or Puerto Rico. While the SIRIUS network of satellite and terrestrial antennae provides nearly seamless service throughout the contiguous U.S., SIRIUS service may be unavailable or interrupted for a variety of reasons, including environmental or topographic conditions; in certain locations such as tunnels, parking garages or within or next to large buildings; or near other technologies that can interfere with the SIRIUS signal. SIRIUS, the dog logo and SIRIUS stream names and logos are trademarks of SIRIUS Satellite Radio. 4 Tele Aid equipment is standard on all E-Class models. First year's Tele Aid Security & Care service provided at no additional cost with subscription. Subscription and acquaintance call required for service to be active. Service operates only where cellular and GPS coverage are available, and requires adequate power supply. Owner must authorize vehicle tracking by providing passcode and a valid stolen vehicle police report number. PIN code required to activate Remote Door Unlock. See dealer for details of telematics services. 5 Optional or part of an Option Package. See optional equipment listing on page 39. 6 When equipped with this feature. 7 WARNING: THE FORCES OF A DEPLOYING AIR BAG CAN CAUSE SERIOUS OR FATAL INJURIES TO A CHILD UNDER AGE 13. THE SAFEST SEATING POSITION FOR YOUR CHILD IS IN THE REAR SEAT, BELTED INTO AN APPROPRIATE, PROPERLY INSTALLED CHILD SEAT, OR CORRECTLY WEARING A SEAT BELT IF TOO LARGE FOR A CHILD SEAT. SEE OPERATOR'S MANUAL FOR ADDITIONAL WARNINGS AND INFORMATION ON AIR BAGS, SEAT BELTS AND CHILD SEATS. 8 OCCUPANT CLASSIFICATION SYSTEM (OCS) IS DESIGNED TO TURN THE FRONT PASSENGER'S FRONT AIR BAG OFF WHEN THE SYSTEM SENSES THE WEIGHT OF A TYPICAL

DIMENSIONS



DIMENSIONS



● Standard. ○ Optional or included with a package. — Not available.



Tele Aid

TELE AID¹

Tele Aid puts a variety of services at system subscribers' fingertips with three simple buttons: the SOS button, the Wrench button and the *i*-button.

- **SOS button:** In case of an emergency, push the SOS button for a Tele Aid Response Specialist who can notify police, paramedics or other emergency personnel of your vehicle's location. SOS is automatically triggered in the event of an air-bag or seat-belt Emergency Tensioning Device (ETD) deployment.
- **Wrench button:** If you need Mercedes-Benz Roadside Assistance, push the Wrench button. Service personnel will help you identify the trouble and dispatch Roadside Assistance if necessary.
- ***i*-button:** Push the *i*-button to contact the Customer Assistance Center or to be connected to your Mercedes-Benz dealer. You can also reach the Concierge Service, receive Route Assistance and access Tele Aid's Traffic Information service.^{2,3}

TELE AID SECURITY & CARE SERVICE

You're already driving a very safe car. Now the Tele Aid Security & Care service enhances your sense of security by providing emergency notification services, connection to Roadside Assistance, Remote Door Unlock, Stolen Vehicle Recovery, i-Operator's Manual, Anti-Theft Client Alarm Notification and more. Keep your annual subscription up-to-date and enjoy the peace of mind that comes from knowing you and your family have an added measure of security and care. With an active Tele Aid subscription, you may be eligible for a discount from your insurance provider.

TELE AID LUXURY & CONVENIENCE PACKAGE²

The Tele Aid Luxury & Convenience Package builds on the services of the Tele Aid Security & Care service and adds access to premium services that enhance your in-vehicle experience every time you get into your Mercedes-Benz. Upgrading to the Tele Aid Luxury & Convenience Package is as easy as pressing the *i*-button and speaking with a Tele Aid Response Specialist.

- **Personal Concierge** acts as your personal assistant on the road. The Tele Aid Concierge Service offers you the gift of time and convenience by fulfilling your requests for nearly "anything, anytime, anywhere" at the touch of a button. You can also use the Online Concierge, which allows you to access your Personal Concierge via your computer or even your PDA from the convenience of your home, office or anywhere Internet access is available.
- **Traffic Information** provides up-to-the-minute details on traffic conditions along your route.³
- **Route Assistance** connects you to a trained specialist who has the resources to locate and help you reach your destination.

24-HOUR ROADSIDE ASSISTANCE

The first of its kind, the Mercedes-Benz Roadside Assistance Program is still the only one that remains in effect for the life of the vehicle. Our Roadside Assistance technicians draw on years of experience and training to get you back on the road as quickly as possible.⁴

MERCEDES-BENZ WARRANTIES

Our New Vehicle Limited Warranty runs for 48 months or 50,000 miles, whichever comes first. And anytime during the new vehicle warranty coverage, you can also purchase a Mercedes-Benz Extended Limited Warranty that will provide additional protection when the New Vehicle Limited Warranty expires.⁵

THE MERCEDES-BENZ MAINTENANCE SYSTEM

Now we've made caring for your vehicle easier than ever. With the Mercedes-Benz Maintenance System, the service intervals are all fixed and predictable—they're every 13,000 miles or one year (10,000 miles or one year for AMG models).⁶ Your vehicle will even remind you, about one month before service is due, via an automatic display on the dashboard that also tells you which type of maintenance service is due.

THE NO-CHARGE SERVICE WELCOME

Getting proper care for your Mercedes-Benz is easiest when you go to the people who know your vehicle—and you—best: your Mercedes-Benz Center's Service Department. To help you get acquainted, just bring your vehicle in for a no-charge first visit between 1,000 and 3,000 miles, where your dealer will perform a diagnostic check as well as address any questions you may have. It's part of our no-charge Service Welcome, which also provides your first tire rotation at no charge anytime before 6,500 miles.⁷

24-HOUR CUSTOMER SERVICE

Our Customer Assistance Center is your one-stop source for answers. Whether you need to know how to use your audio system, find the nearest Mercedes-Benz dealer, get pricing or learn about personal and automotive accessories, just call 1-800-FOR-MERCEDES or press the Tele Aid *i*-button in your vehicle.⁸

SIGN AND DRIVE SERVICE

Our legendary Roadside Assistance Service includes bringing you some fuel if you've run out, replacing a flat tire with your spare or jump-starting your car if the battery dies. All at no charge, and all for as long as you're driving a Mercedes-Benz—even somebody else's.⁹ Help is as close as your vehicle's Wrench button⁸ or just a phone call away at 1-800-FOR-MERCEDES.

TRIP INTERRUPTION BENEFITS

In the unlikely event that a breakdown covered by your MBUSA New Vehicle Limited Warranty occurs more than 100 miles from your home, leaves your Mercedes-Benz inoperable or unsafe to drive and requires overnight repairs at a Mercedes-Benz Center, you'll be reimbursed up to \$300 per day for any documented expenses—for up to three days—including meals, lodging and substitute transportation.

ALTERNATE TRANSPORTATION PROGRAM

Whenever you bring your vehicle into an official Mercedes-Benz Center for servicing during the warranty period, ask about your dealer's Alternate Transportation Program—so you can maintain your busy schedule while your dealer maintains your vehicle.¹⁰

MERCEDES-BENZ FINANCIAL

Mercedes-Benz Financial offers a wide and impressive array of flexible and convenient financing options. To determine whether purchasing or leasing is right for you and to estimate the monthly payment amount on your next Mercedes-Benz, visit MercedesBenzFinancial.com.

EUROPEAN DELIVERY PROGRAM

It's more than just a new car, it's a driving adventure. With our factory delivery program, you can enjoy a honeymoon with your new Mercedes-Benz as you savor the delight of driving it in the land where it was built—while you enjoy a 7% savings on many models.¹¹ Enjoy it as a brief trip or as the starting point of your own self-planned European adventure. You can also take advantage of the optional Rally Package, which takes you through the Black Forest and the Alps, then on to Munich, staying at luxurious, historic hotels all along the way.

MBUSA.COM

Whether you need to locate the closest Mercedes-Benz dealer, want to know about financing and leasing options or would like more information on our European Delivery Program, MBUSA.com can help. This comprehensive website covers virtually every aspect of Mercedes-Benz ownership. You can also use MBUSA.com to peruse the extensive catalog of Mercedes-Benz accessories or set up an Online Portfolio to save all of your automotive preferences. Quick, easy and always at your service, MBUSA.com puts a world of information just a mouse-click away.

- **Model Selector:** Find the perfect Mercedes-Benz based on performance, price and bodystyle.
- **Photos and Videos:** Mercedes-Benz photos, wallpaper, screen savers, running footage, TV commercials and more.
- **Build Your Own:** Build your dream Mercedes-Benz online. You can even send the particulars to your local dealer to help them set up a test drive for you.
- **Purchase Inquiry:** Schedule a test drive, order a brochure, learn more about a model and explore financing and leasing options.
- **Locate a Dealer:** Finding your nearest dealer is easy with detailed maps and driving directions.
- **Owners Online:** This exclusive online resource offers owner benefits that extend beyond your vehicle. Access your Mercedes-Benz Financial account, configure your Tele Aid System, get vehicle maintenance tips and find answers to frequently asked questions. Plus, you'll receive exclusive offers and promotions, and advance notice of what's new and exciting at Mercedes-Benz.

¹ Tele Aid equipment is standard on all E-Class vehicles. First year's Tele Aid Security & Care service provided at no additional cost with subscription. Subscription and acquaintance call required for service to be active. Service operates only where cellular and GPS coverage are available, and requires adequate power supply. Owner must authorize vehicle tracking by providing passcode and a valid stolen vehicle police report number. PIN code required to activate Remote Door Unlock. See dealer for details of telematics services. ² Concierge Service available only with Tele Aid Luxury & Convenience Package. Traffic Information and Route Assistance use is included as part of the Tele Aid Luxury & Convenience Package and is available at an additional per-use charge when used with the Tele Aid Security & Care service. See dealer for details. ³ Performance of the automated voice system varies depending on the noise level in and around the vehicle. Traffic Information is based on available broadcast data, not available in all areas and only provided for routes that have been personalized on the Tele Aid website (up to five routes) or are within a specified radius of your vehicle's present location. See Tele Aid section of MBUSA.com for available cities.

⁴ Vehicle must be accessible from main roads. Roadside Assistance repairs may involve charges for parts, service and towing. Depending on the circumstances, these services may be provided by an outside service, courtesy of Mercedes-Benz Roadside Assistance. For full details of the Roadside Assistance Program, please see your dealer. ⁵ Please see your dealer for warranty details as well as for terms, conditions and pricing for extended warranty options. Surcharges apply after the first year. ⁶ Whichever comes first. Requires use of 229.5-spec oil and high-performance fleece oil filter. Driver is responsible for monitoring fluid levels and tire pressure between service visits. See Maintenance Booklet for details. ⁷ On models with different-sized front and rear tires, which cannot be rotated, dealer will inspect tires and set inflation pressure. Follow tire manufacturer's recommendations. ⁸ First year's Tele Aid Security & Care service provided at no additional cost with subscription. Subscription and acquaintance call required for service to be active. Service operates only where cellular and GPS coverage are available, and requires adequate power supply. ⁹ For full details of Sign and Drive service, as well as the Roadside Assistance Program, please see your dealer. ¹⁰ Certain restrictions may apply. Terms, conditions and dealer participation may vary. ¹¹ European Delivery discount available on select models. Please see your dealer for details.

اپنے کارڈ کو خود رو فارما
 تیار کرنے کیلئے مزید: ۰۲۱-۸۸۸۶۲۰۸۵
 FarmaSOS.com



E550 Sport Sedan shown on front and back covers in Pewter metallic paint with optional Panorama Roof and Premium 2 Package.

©2006 Mercedes-Benz USA, LLC • One Mercedes Drive, Montvale, NJ 07645 • 1-800-FOR-MERCEDES • MBUSA.com

Marketing Communications. All illustrations and specifications contained in this brochure are based on the latest product information available at the time of publication. Mercedes-Benz reserves the right to make changes at any time, without notice, to colors, materials, equipment, specifications and models. Any variations in colors shown are due to reproduction variations of the printing process. Illustrations may include test situations. Some vehicles may be shown with non-U.S. equipment. Some vehicles are shown with optional equipment. HomeLink® is a registered trademark of Prince, a Johnson Controls Company. harman/kardon® and LOGIC7® are registered trademarks of Harman International Industries, Inc. iPod is a registered trademark of Apple Computer, Inc.

♻️ In an effort to minimize the environmental impact of this brochure, Mercedes-Benz uses a recycled coated paper that is guaranteed in writing to contain a minimum of 10% post-consumer waste. Printed in U.S.A./200 MC-06-759



Mercedes-Benz